

Exacta Easy/LKD



For Ampoules and Vials Containing Injectable Liquid Product

Up to 400 pcs/minute



Inspection Applications

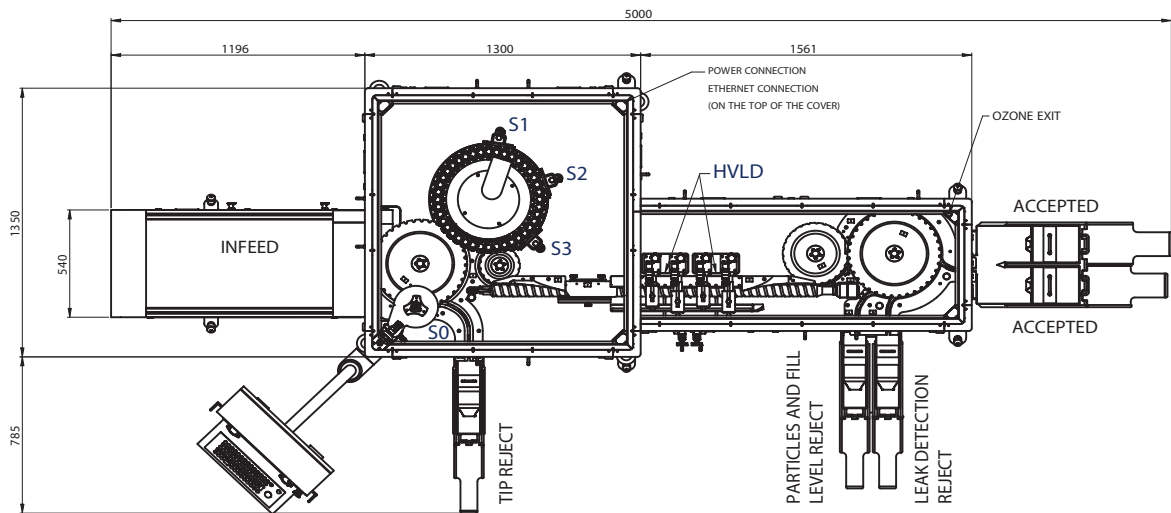
- Particles (still particles, floating particles)
- Tip (shape, ring color, ring integrity, opc presence, flipOff color, integrity)
- Alu seal (crimping and stopper presence)
- Leak Test

Advantages

- Continuous motion
- Very compact footprint
- High speed cameras
- No moving inspection components like mirrors, lights, cables or cameras
- Wide product range up to \varnothing 28 mm diameter
- Capacity for maximum throughput of 400 units/min
- Defects separation by categories
- Reject verification system
- Infeed system for inline/offline operations
- Change parts optimized for quick change over
- Gentle containers transportation
- Full validation package
- Swing arm including operator interface
- Ergonomicity of the component and parts
- Zero vibration

Exacta Easy/LKD - High Performance Automatic Inspection Machine

For Ampoules and Vials Containing Injectable Liquid Product

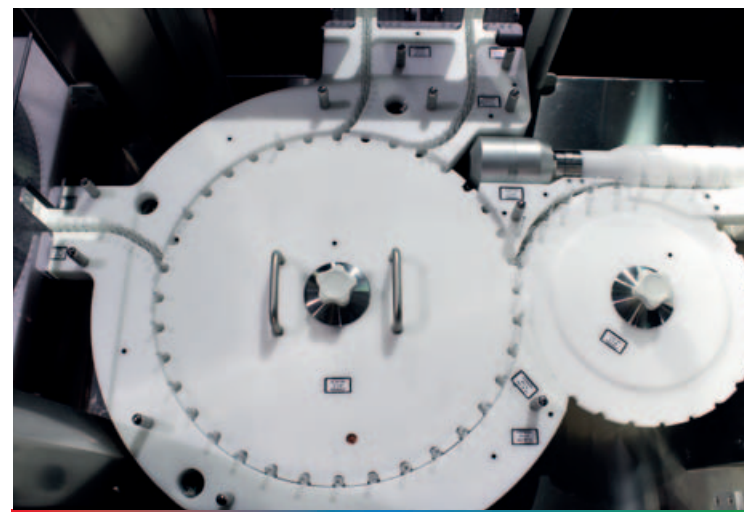


Inspection Configuration

- S1 – S2 –S3: for particles and fill level inspection
- S0: tip defects, tip shape, alu seal inspection
- Optional: Additional camera for cosmetic inspection available

Technical Data

- Machine Speed: 24.000 pcs/h max
- Containers Spinning System: A total of 4 brushless motors with adjustable rotation speed from 0 to 3000 rpm
- Electric Supply: 400V- 220V±10% 50/60Hz 3Ph + ground
- PC: Industrial PC with Raid array for simultaneous data back up
- PLC: Siemens S7/300 series with profibus communication port
- Control panel: 17" colour touch screen monitor with external keyboard
- SCADA System: SQL Database (Compliance with 21CFR11)
- Vision System: Optrel's proprietary vision system PVS1
- Validation Documents: Machine in compliance with the most important standard regulations and guideline. CFR21 part. 11 - Audit Trail - cGMP and GAMP5



www.optrelinspection.com

A **Stevanato** Group Brand